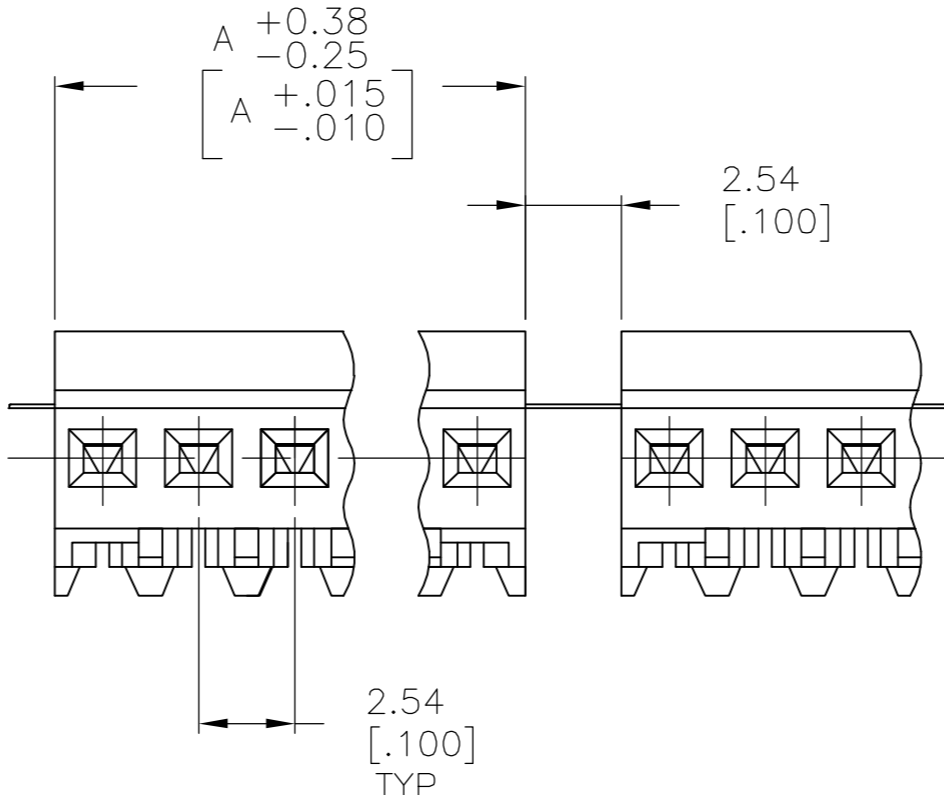
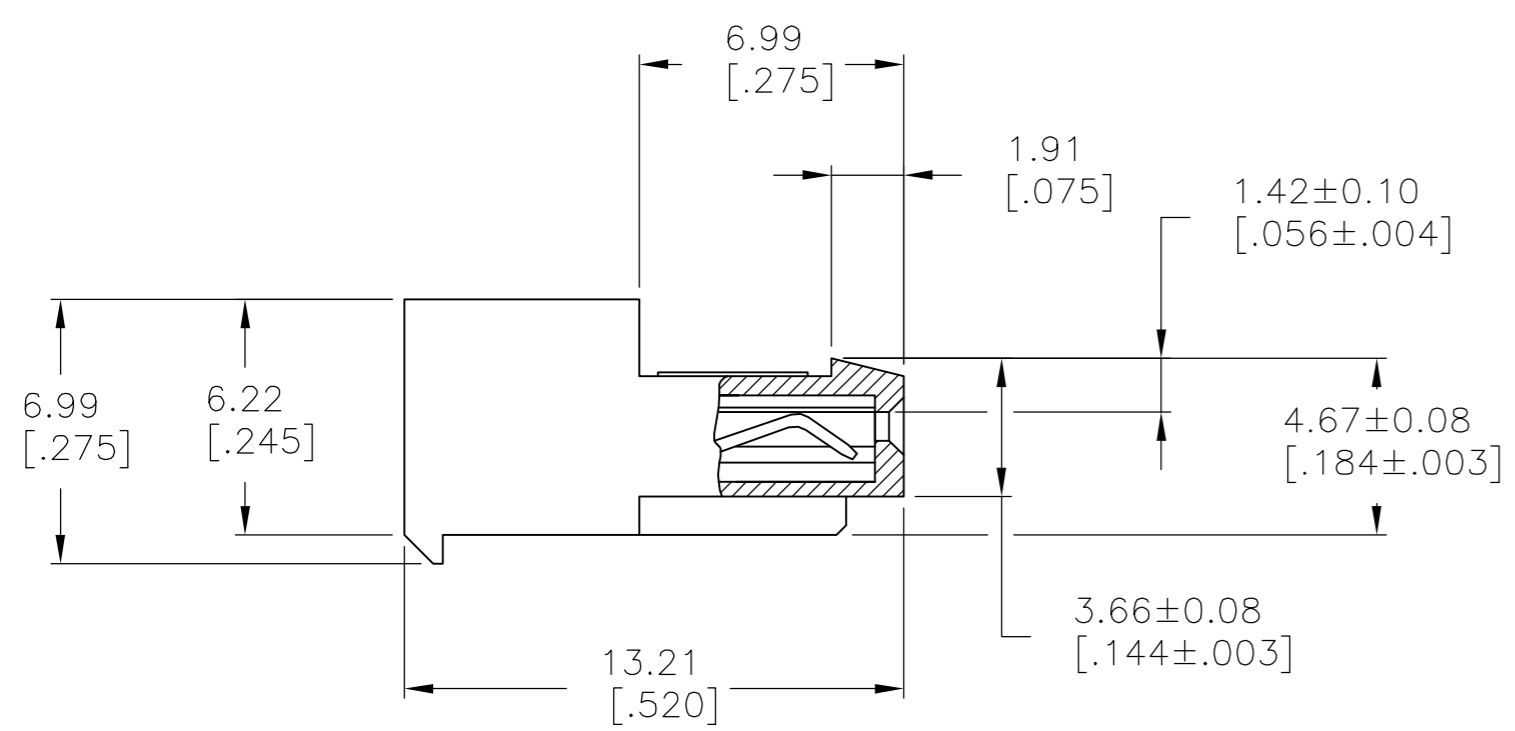
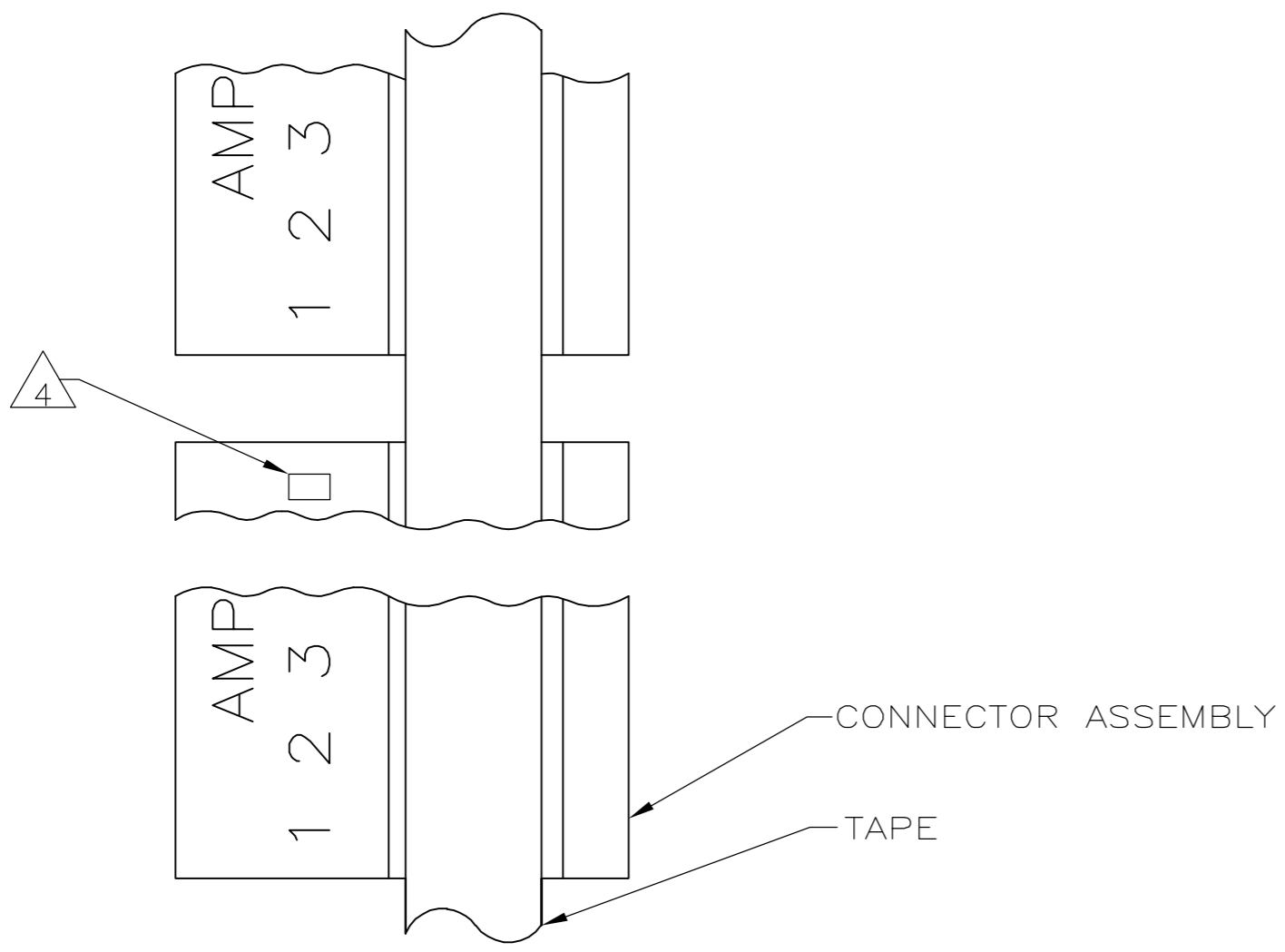


THIS DRAWING IS UNPUBLISHED. RELEASED FOR PUBLICATION  
 © COPYRIGHT BY TYCO ELECTRONICS CORPORATION. ALL RIGHTS RESERVED.

LOC		DIST		REVISIONS			
P	LTR	DESCRIPTION		DATE	DWN	APVD	
B		REVISED PER ECO-07-003757		01MAR07	KW	DB	

- 1 MATERIAL: CONNECTOR - NYLON UL94V-2 (GREEN).  
 CONTACTS - 0.30[.012] THICK COPPER ALLOY MATTE WHISKER MITIGATED TIN 0.00203[.000080] MIN THICKNESS OVER NICKEL UNDERPLATE OR BRIGHT TIN-LEAD 93/7 0.00203[.000080] MIN THICKNESS. SEE FINISH COLUMN FOR PLATING TYPE.
- 2. CONTACTS ACCEPT 28 AWG WIRE WITH 1.52[.060] MAX INSULATION DIAMETER.
- 3. CONTACTS MUST ACCEPT 0.36-0.51 [.014-.020] SQUARE OR ROUND POST AND REMAIN LOCKED IN POSITION.
- 4 IDENTIFICATION NUMBER FOR LAST CIRCUIT MAY NOT APPEAR ON ALL ASSEMBLIES.
- 5. DIMENSIONS IN BRACKETS ARE IN INCHES.
- 6. HOUSING FEATURES ARE: CLOSED END WITH LOCKING RAMP & LED CONTACT.



TIN	7.62[.300]	3	3-647066-3
TIN-LEAD	7.62[.300]	3	647066-3
FINISH	DIM A	NO. OF CIRCUITS	PART NO.

**METRIC**

THIS DRAWING IS A CONTROLLED DOCUMENT.

DWN	B. LEWIS	17OCT96	Tyco Electronics Corporation Harrisburg, Pa 17105-3608
CHK	R. SWING	17OCT96	
APVD	R. WILSON	17OCT96	
PRODUCT SPEC	108-1050		
APPLICATION SPEC	114-1019		MTA-100 CONNECTOR ASSEMBLY, 28 AWG, FOR .014-.020 POST, TAPE MOUNTED, SPECIAL
MATERIAL			SIZE A2 CAGE CODE 00779 DRAWING NO. C=647066 RESTRICTED TO WEIGHT - SCALE 5:1 SHEET 1 OF 1 REV B

CUSTOMER DRAWING